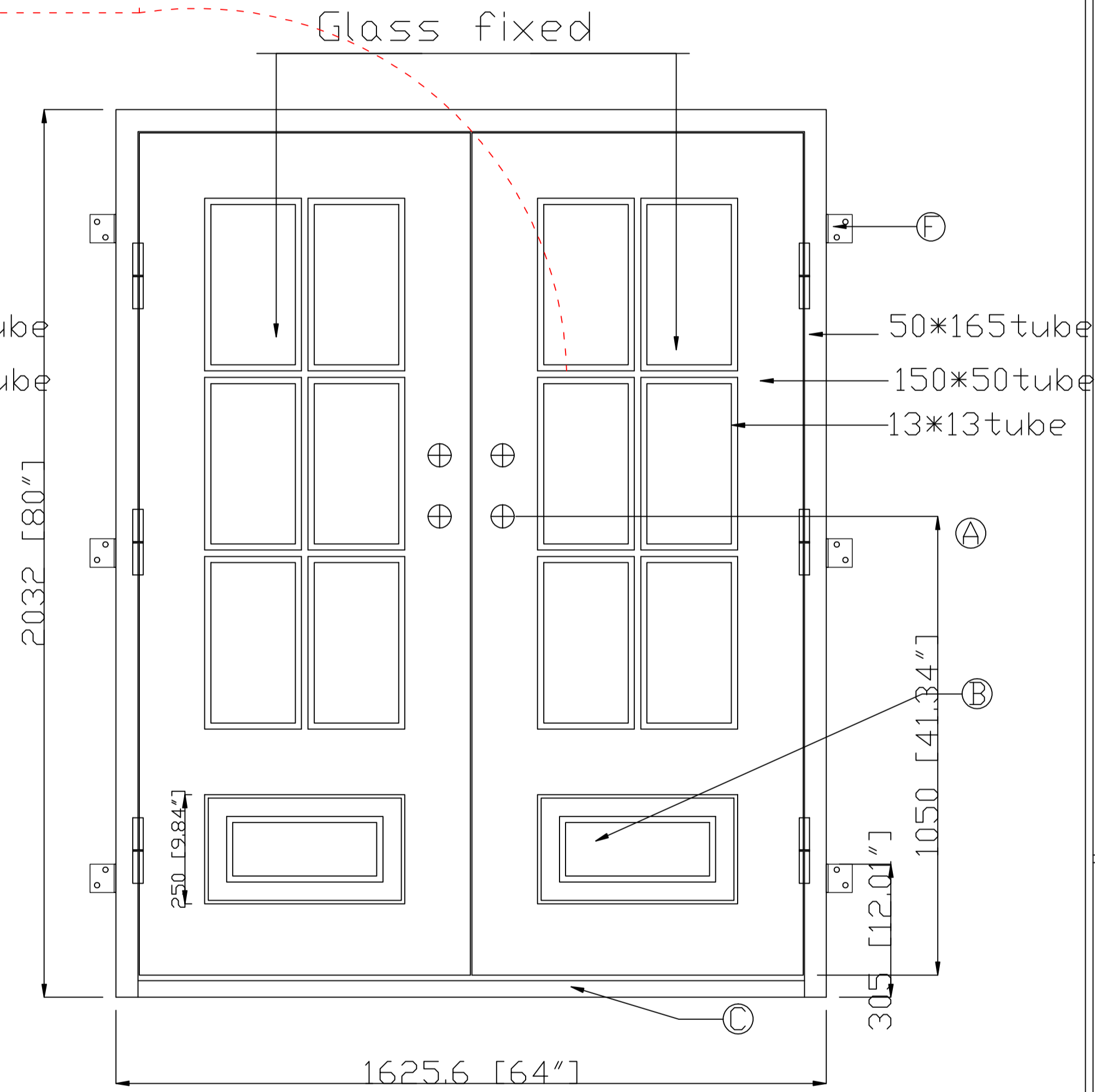
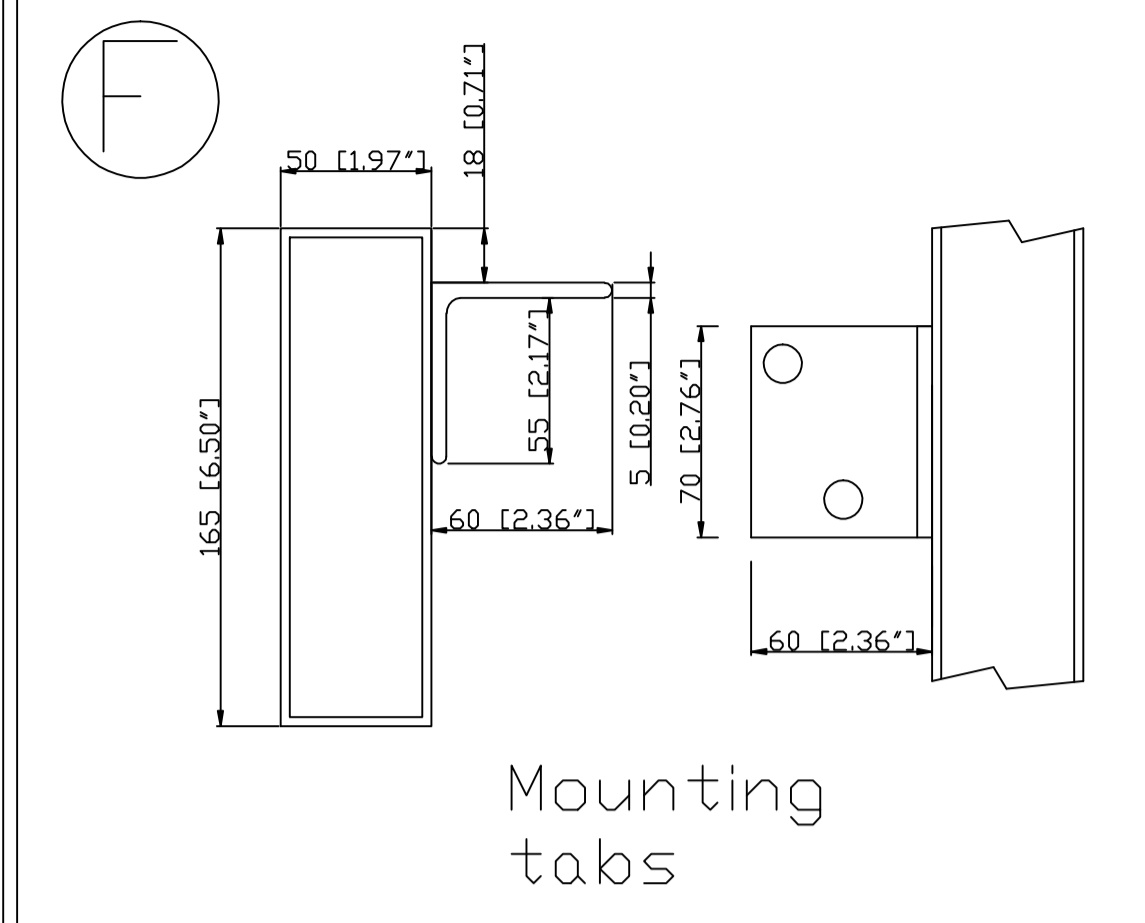
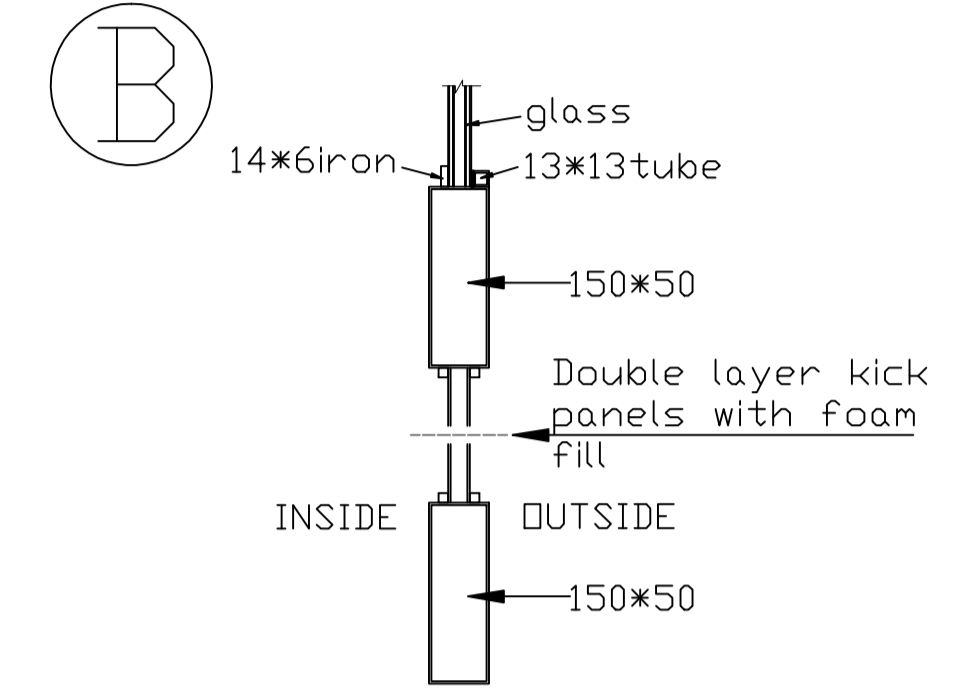
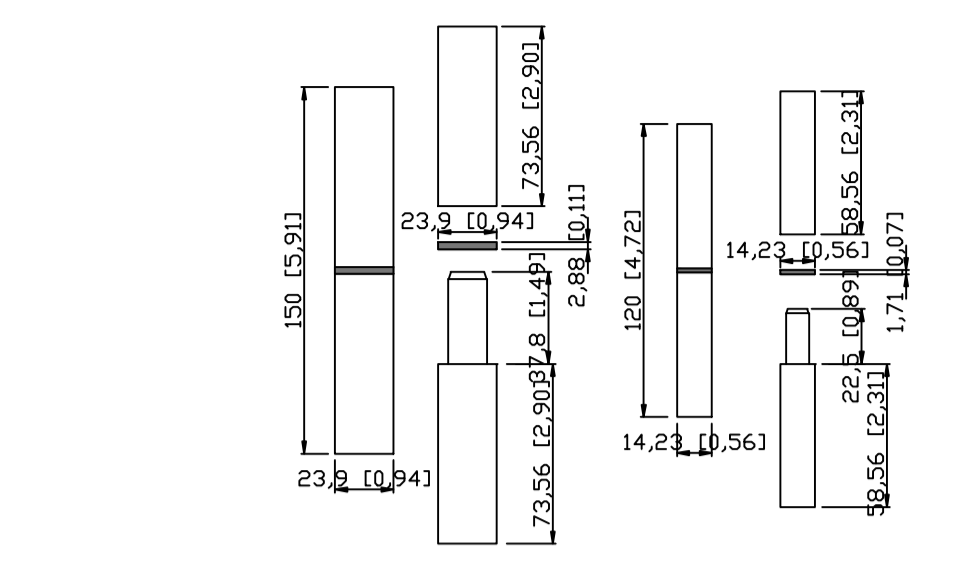


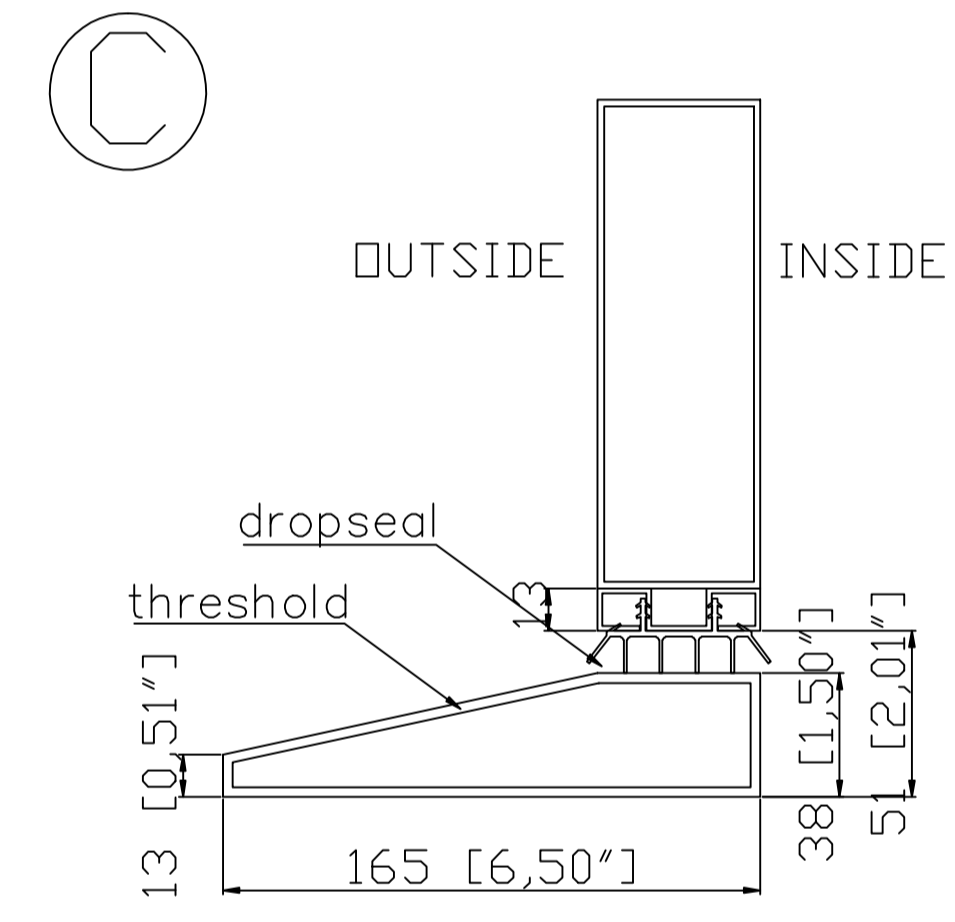
OUTSIDE



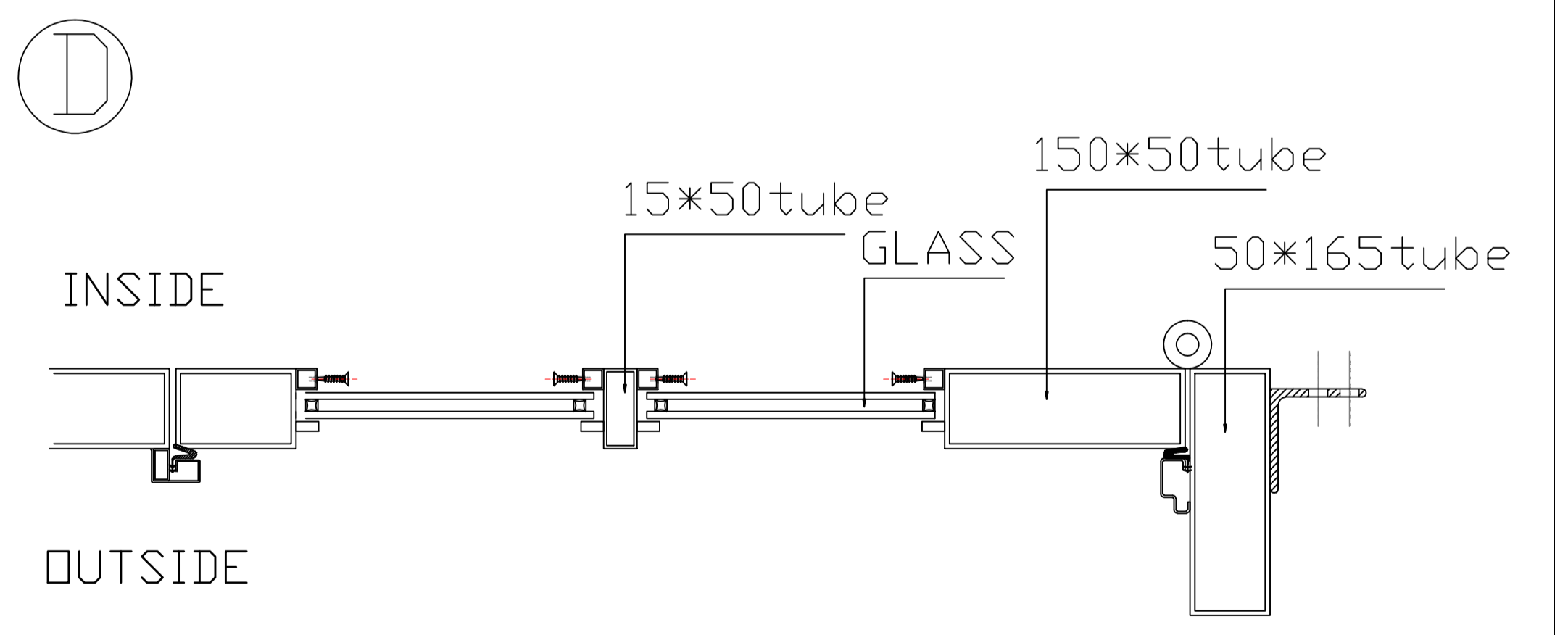
INSIDE



Mounting tabs



TBD



	NAME	George Word EL1229	Color	TBD	Accent color	None		CAD APPROVED BY CLIENT
	DATE	2021.05.08 REV-A	GLASS	TBD	Rustproof type	spray zinc coating		SIGNED _____
	Packing	iron cage			Thermal Barrier	<input type="checkbox"/> YES <input checked="" type="checkbox"/> NO		