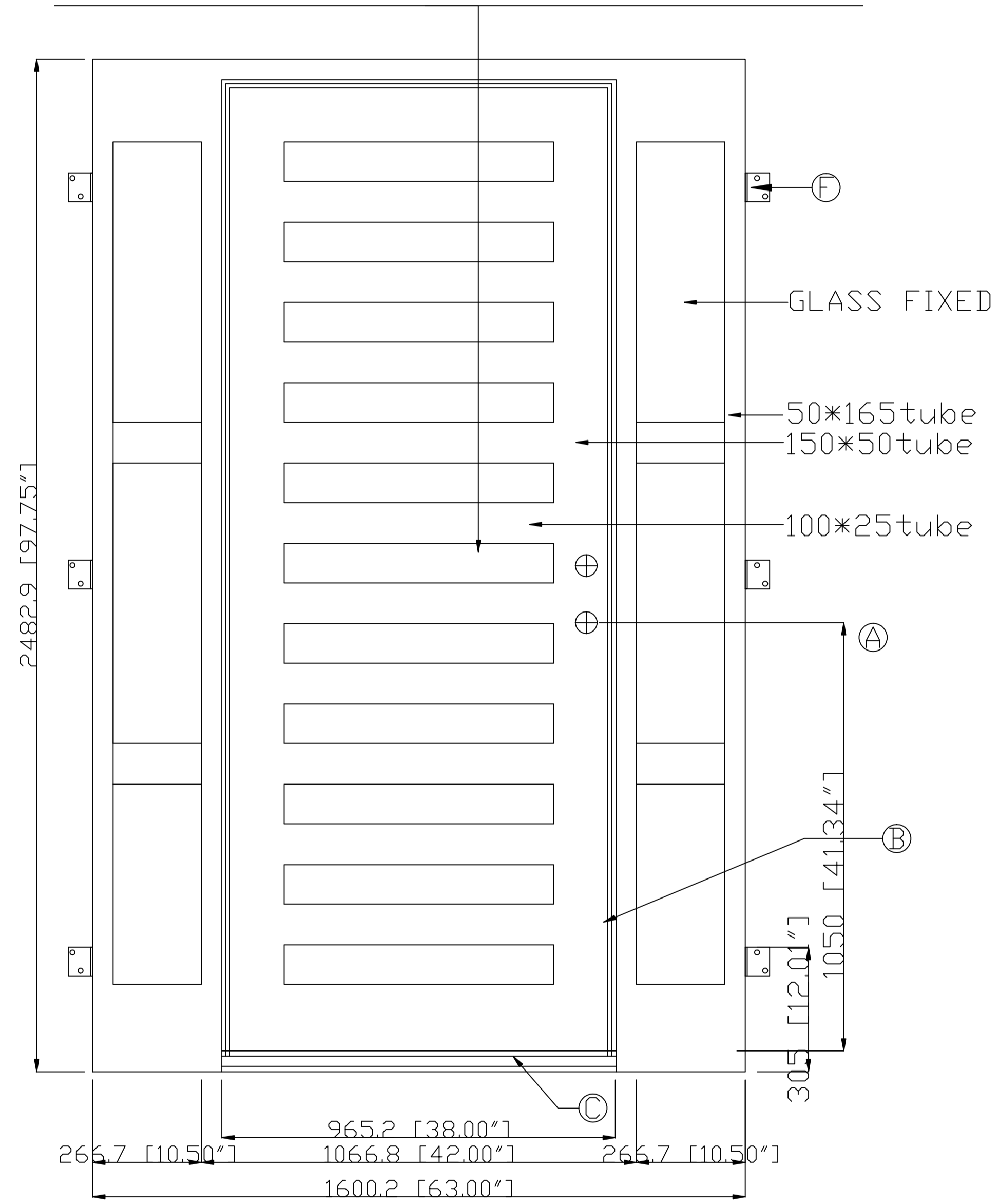
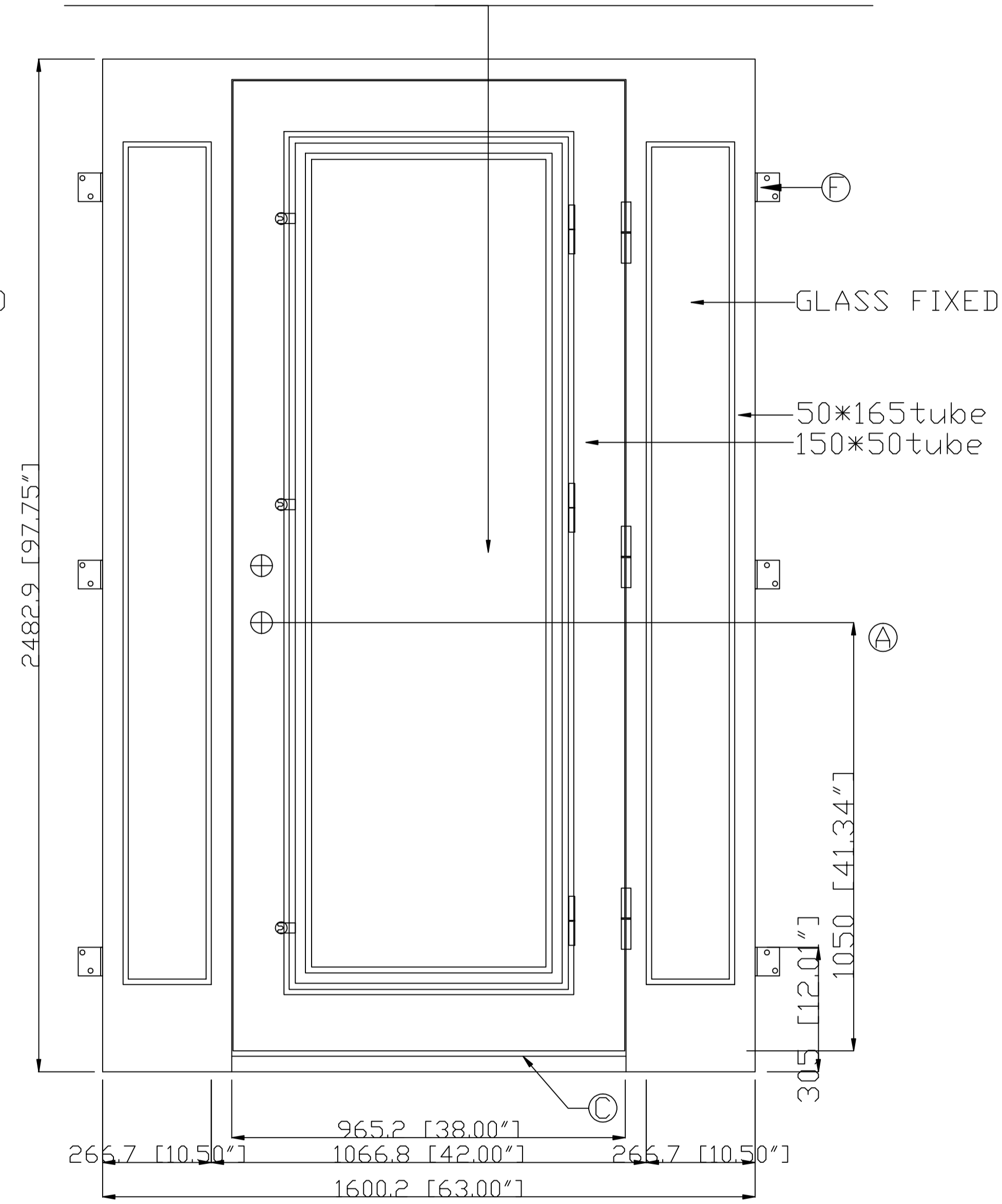


Window opens for cleaning and ventilation (D)

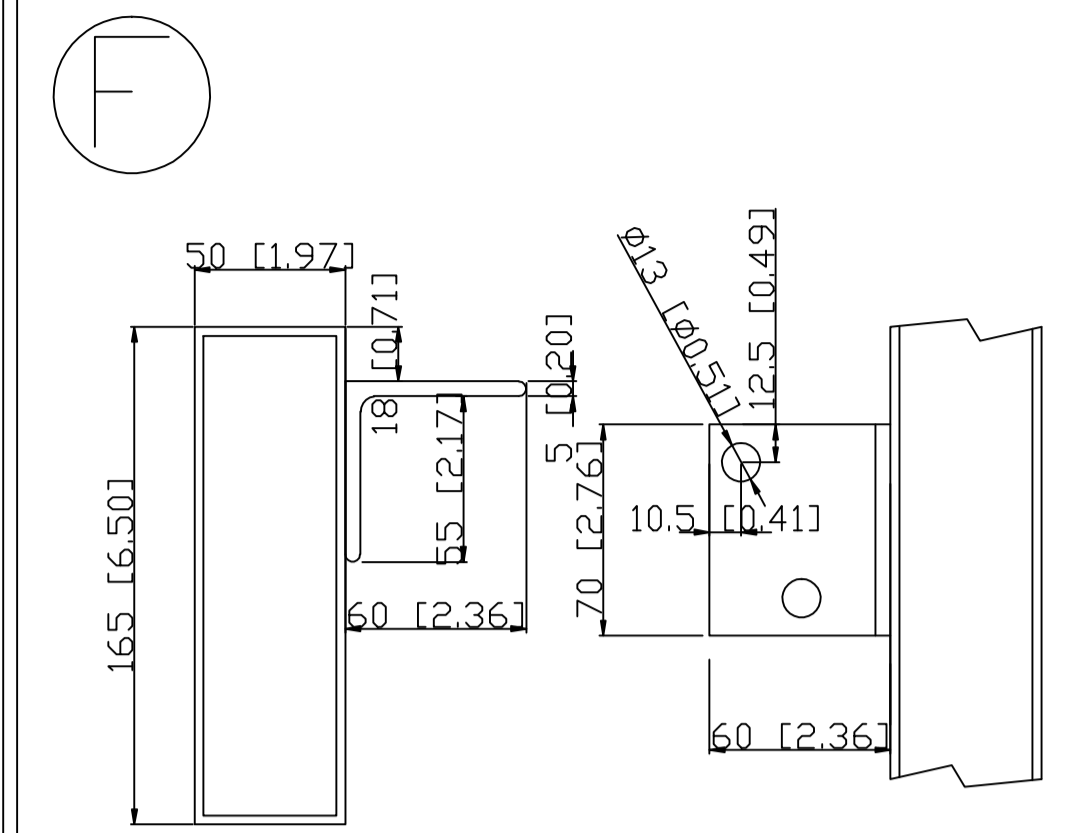
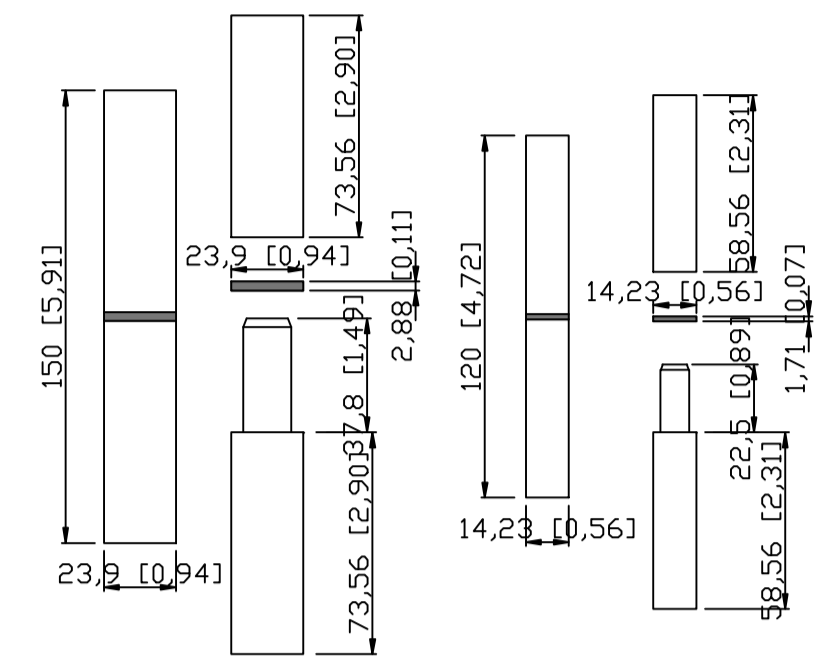


OUTSIDE

Window opens for cleaning and ventilation (D)

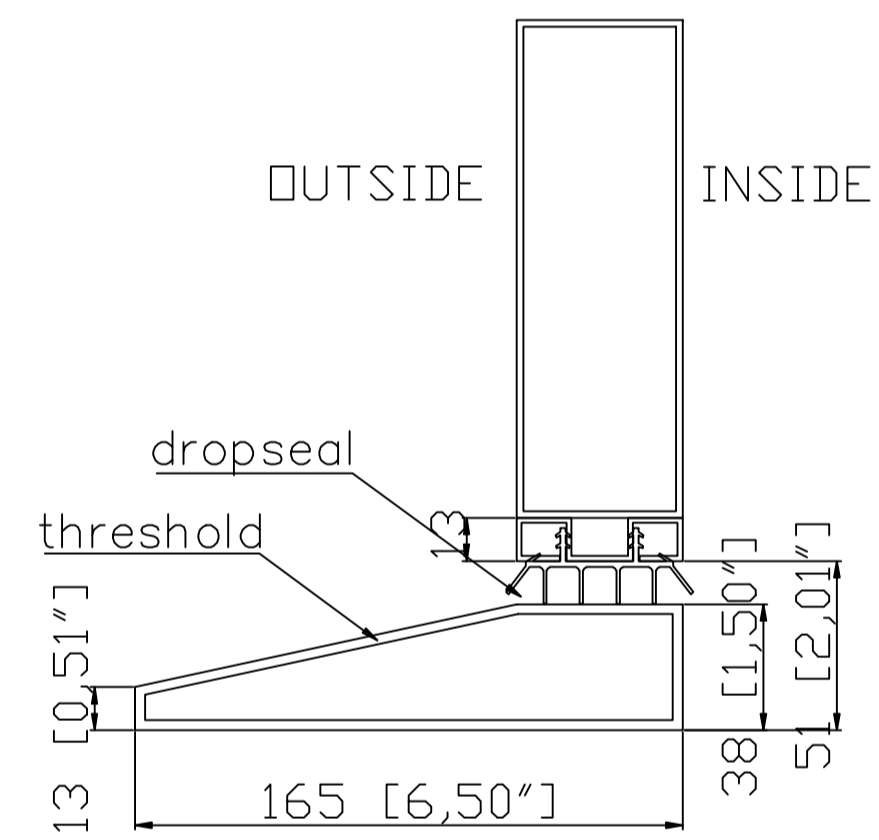


INSIDE



Mounting Lug

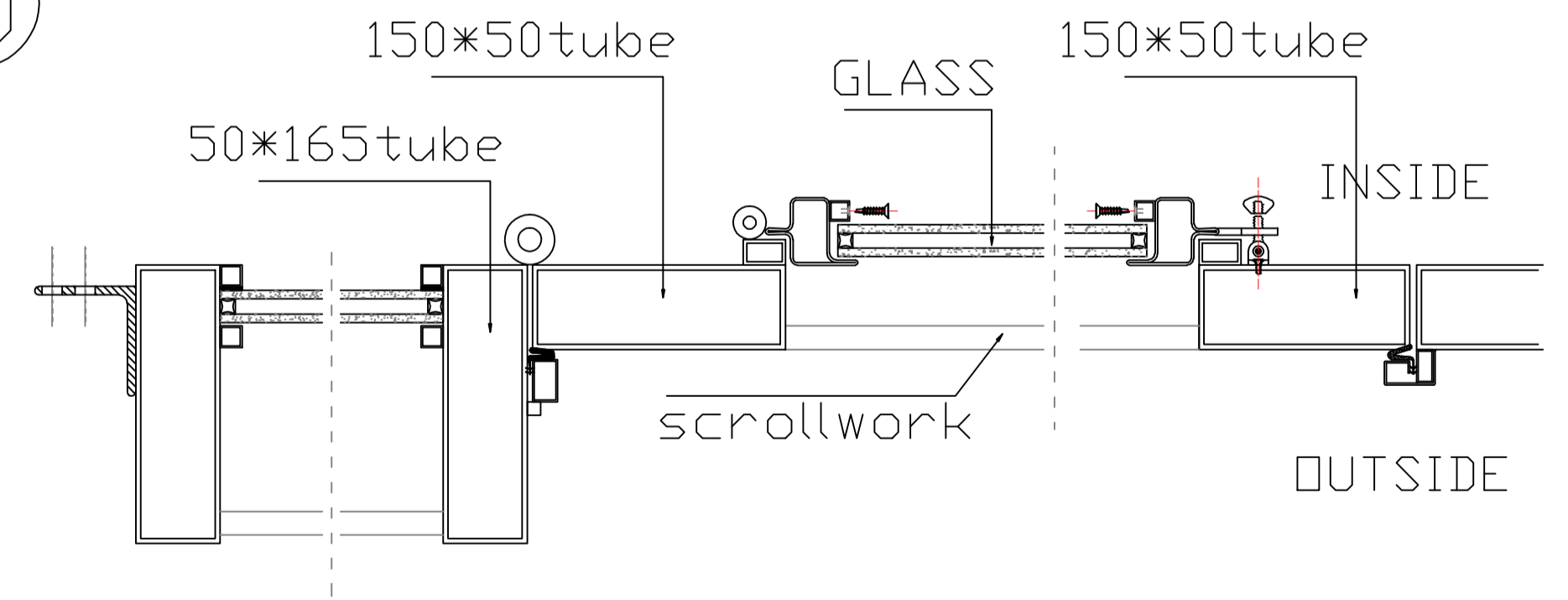
(C)

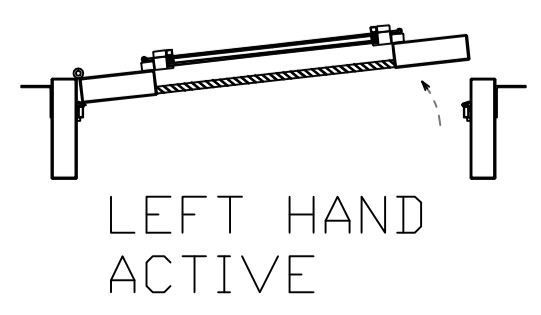


(A)

TBD

(D)



 TEMPERED	NAME	Michael EL1133 Stellpflug	Color	TBD	Accent color	None	 INSIDE LEFT HAND ACTIVE	CAD APPROVED BY CLIENT SIGNED _____
	DATE	L2021.05.09 REV-A	GLASS	TBD	Rustproof type	spray zinc coating		
	Packing	iron cage			Thermal Barrier	<input type="checkbox"/> YES <input checked="" type="checkbox"/> NO		