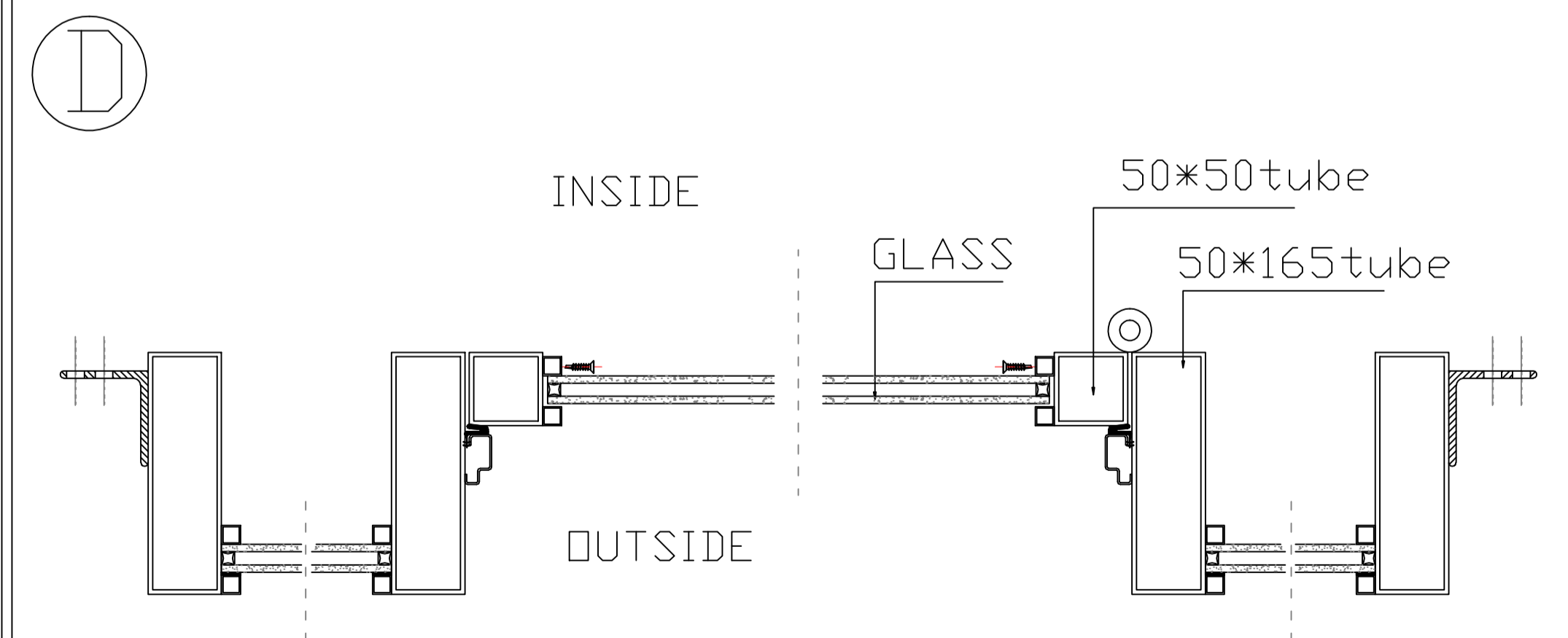


TBD



	NAME	Randy Spencer	Color	TBD	Accent color	None	<p>INSIDE</p> <p>RIGHT HAND ACTIVE</p>	<p>CAD APPROVED BY CLIENT</p> <p>SIGNED _____</p>
	DATE	L2021.06.30 REV-E	GLASS	TBD	Rustproof type	spray zinc coating		
	Packing	iron cage			Thermal Barrier	<input type="checkbox"/> YES <input checked="" type="checkbox"/> NO		