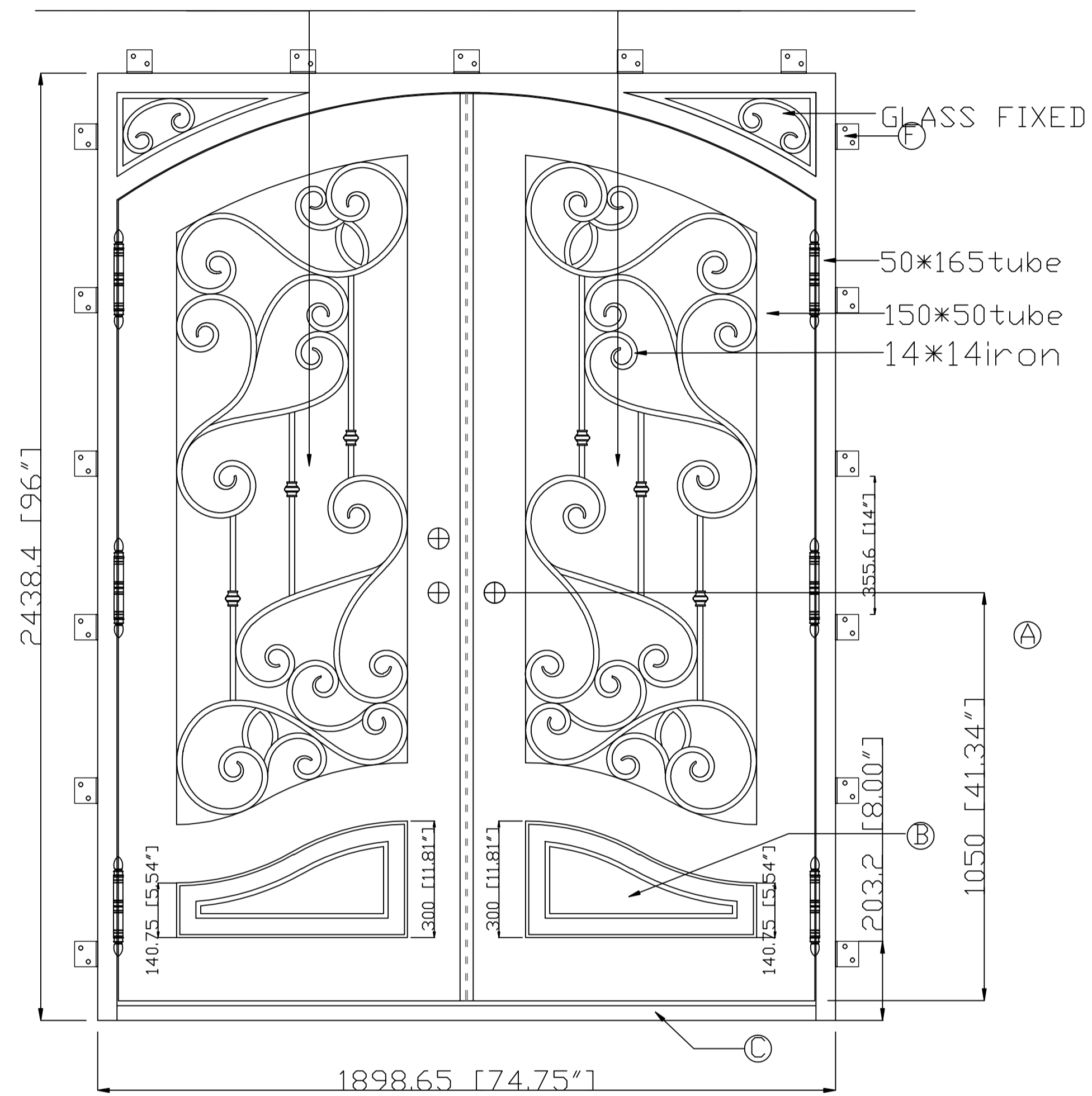
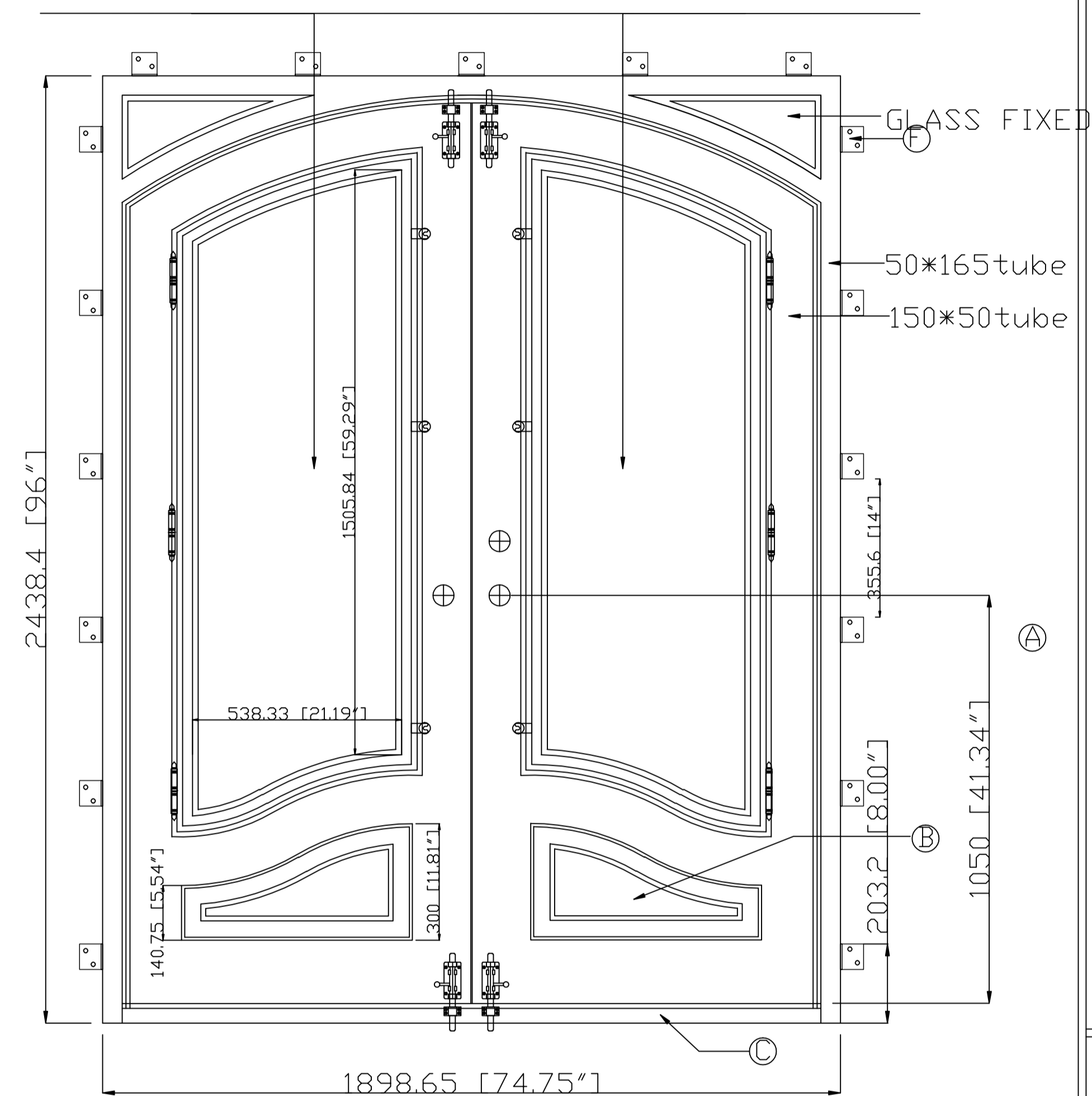


Window opens for cleaning and ventilation (D)

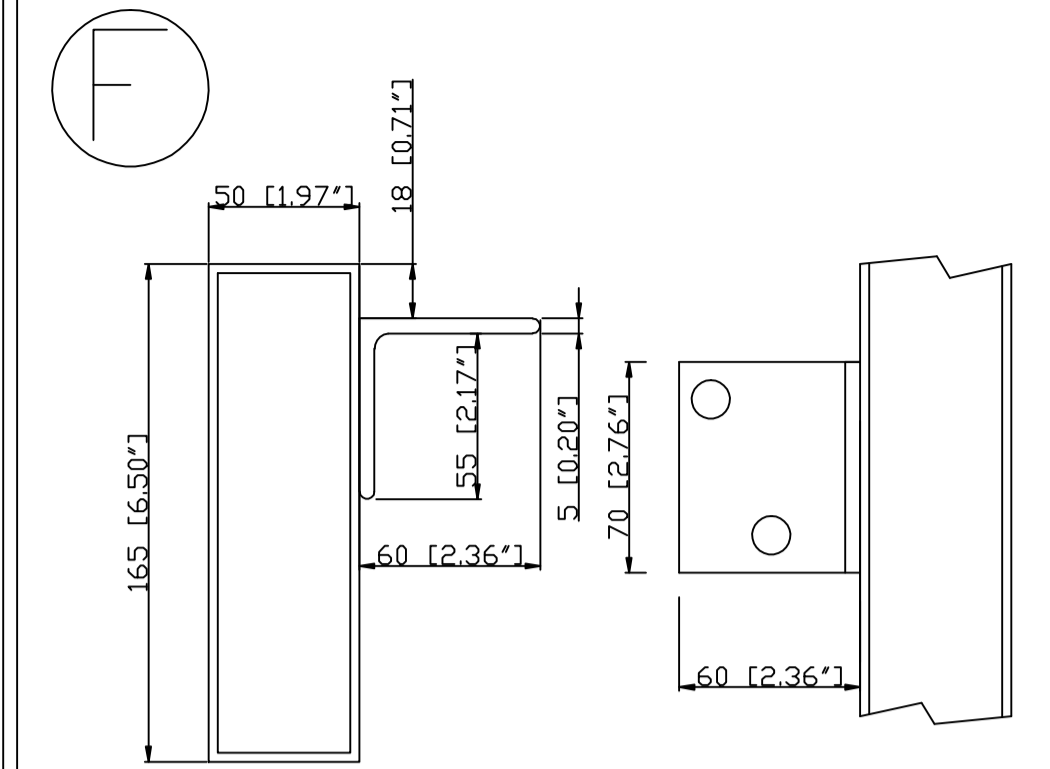
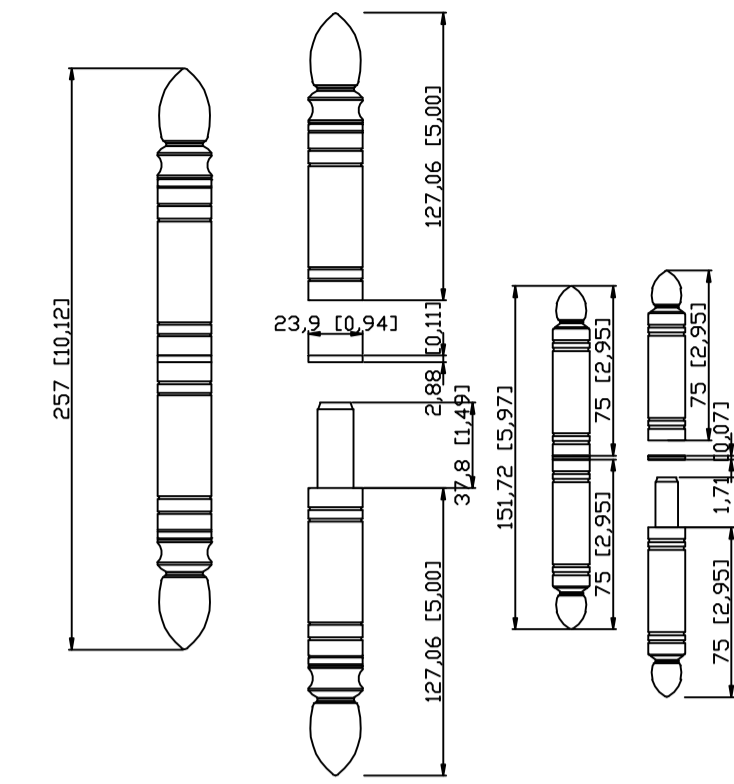
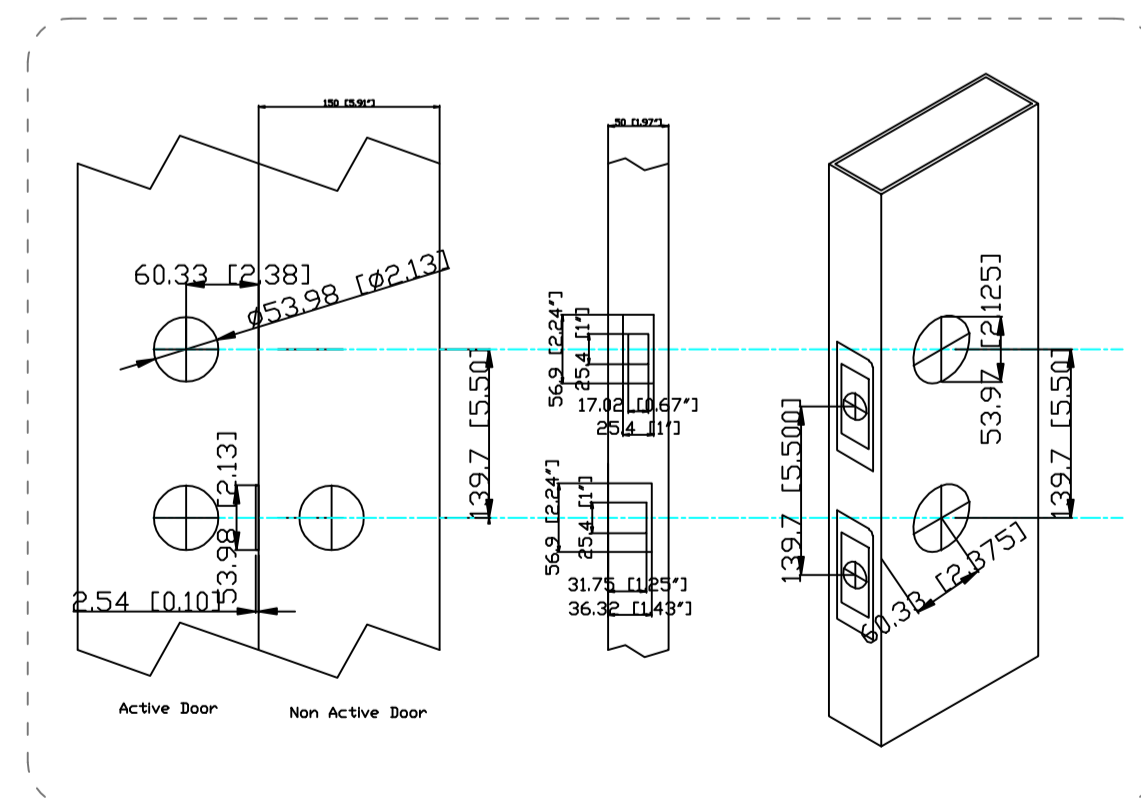


OUTSIDE

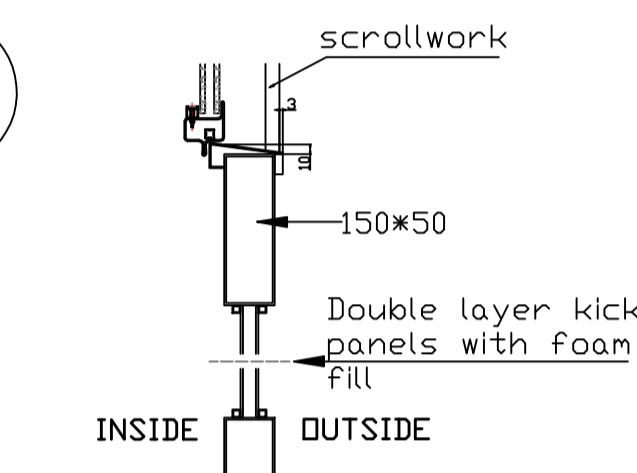
Window opens for cleaning and ventilation (D)



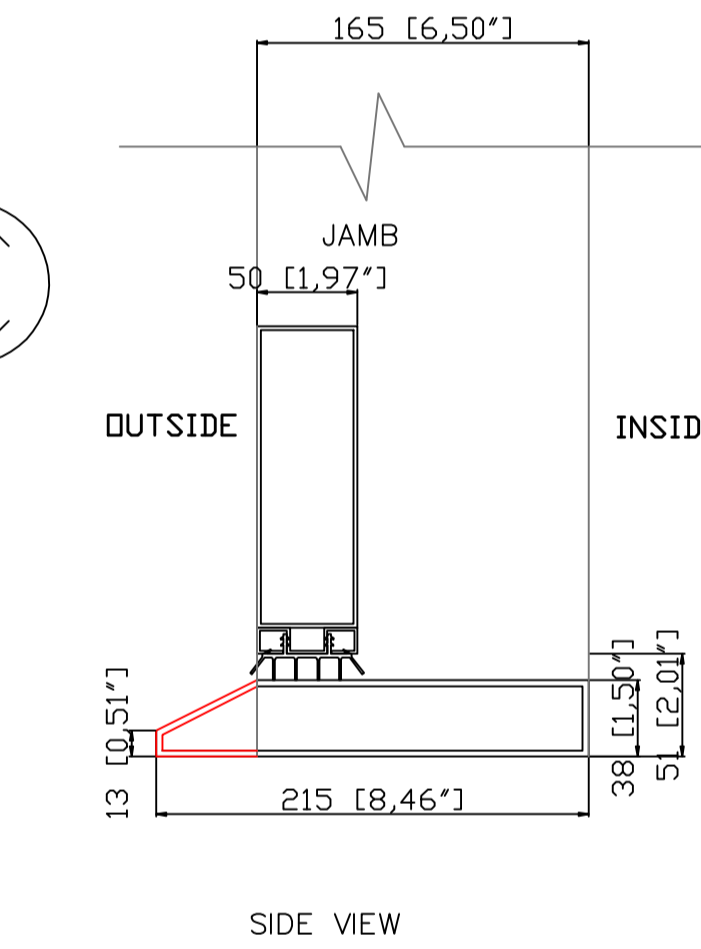
INSIDE



(B)



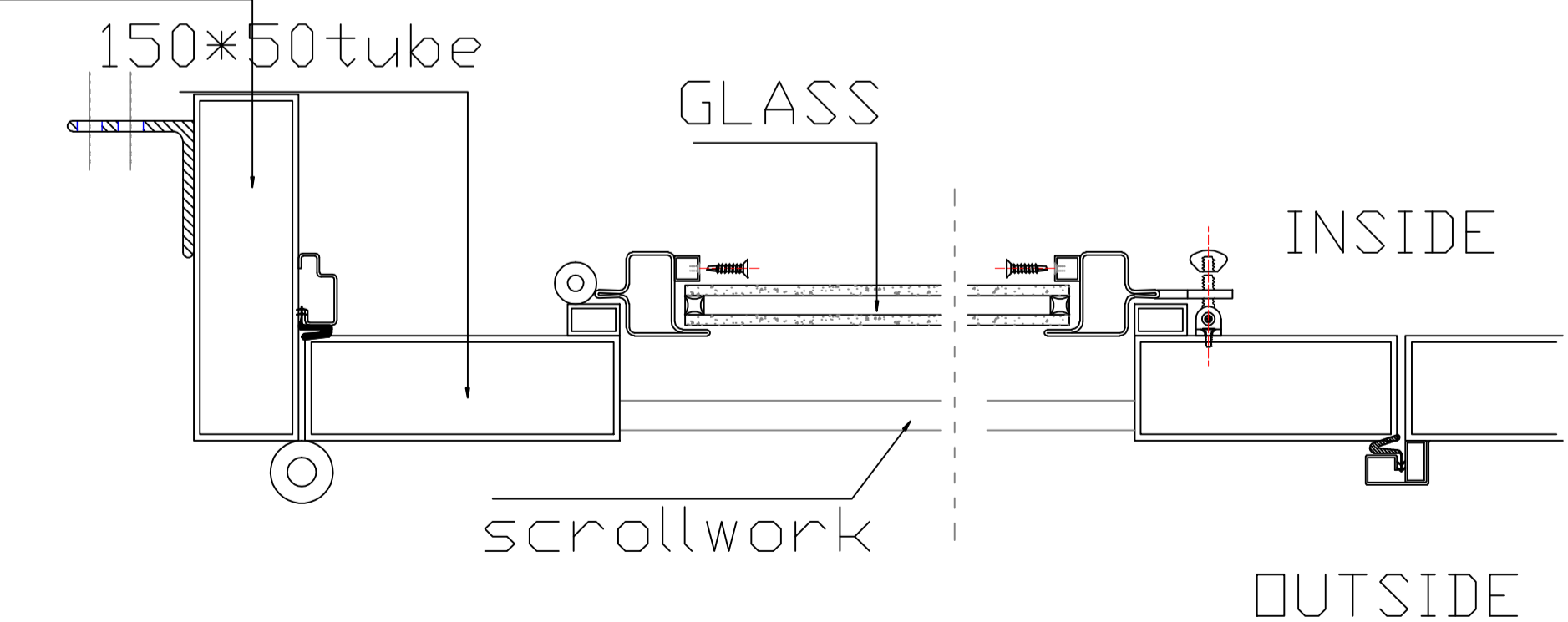
(C)



SIDE VIEW

(D)

50*165 tube



(A)

Lock hole
Prepare
As per
specification
按照客人锁孔尺寸开

 TEMPERED	NAME	Ronald Carlson EL1100	Color	05oil rubbed bronze	Accent color	None	左开 INSIDE  LEFT HAND ACTIVE	CAD APPROVED BY CLIENT SIGNED _____
	DATE	X2020.08.14 REV-F	GLASS	Impact glass: New diamond+clear 抗台风: 钻石+白玻	Rustproof type	spray emery powder		
	Packing	iron cage		Thermal Barrier	<input type="checkbox"/> YES <input checked="" type="checkbox"/> NO			