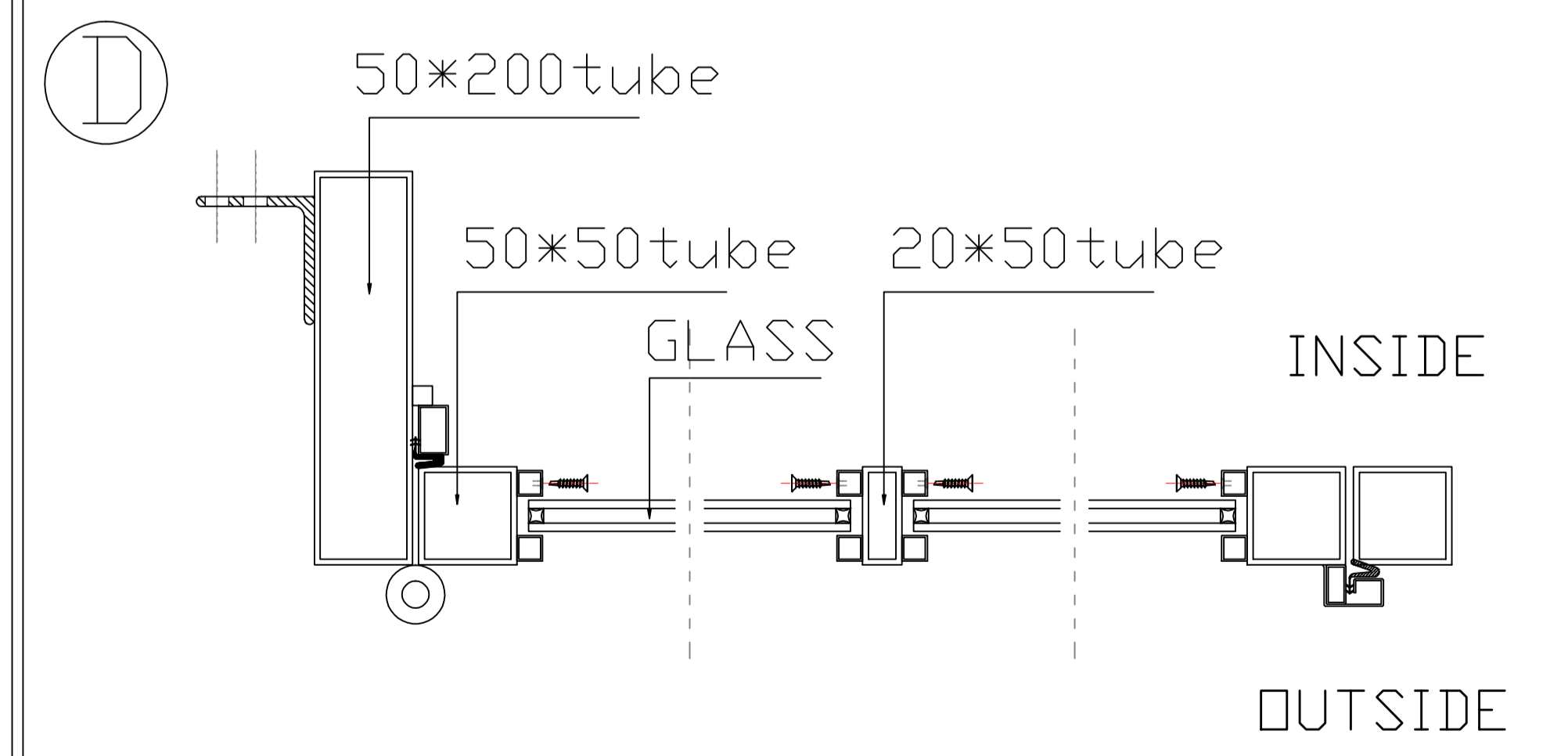
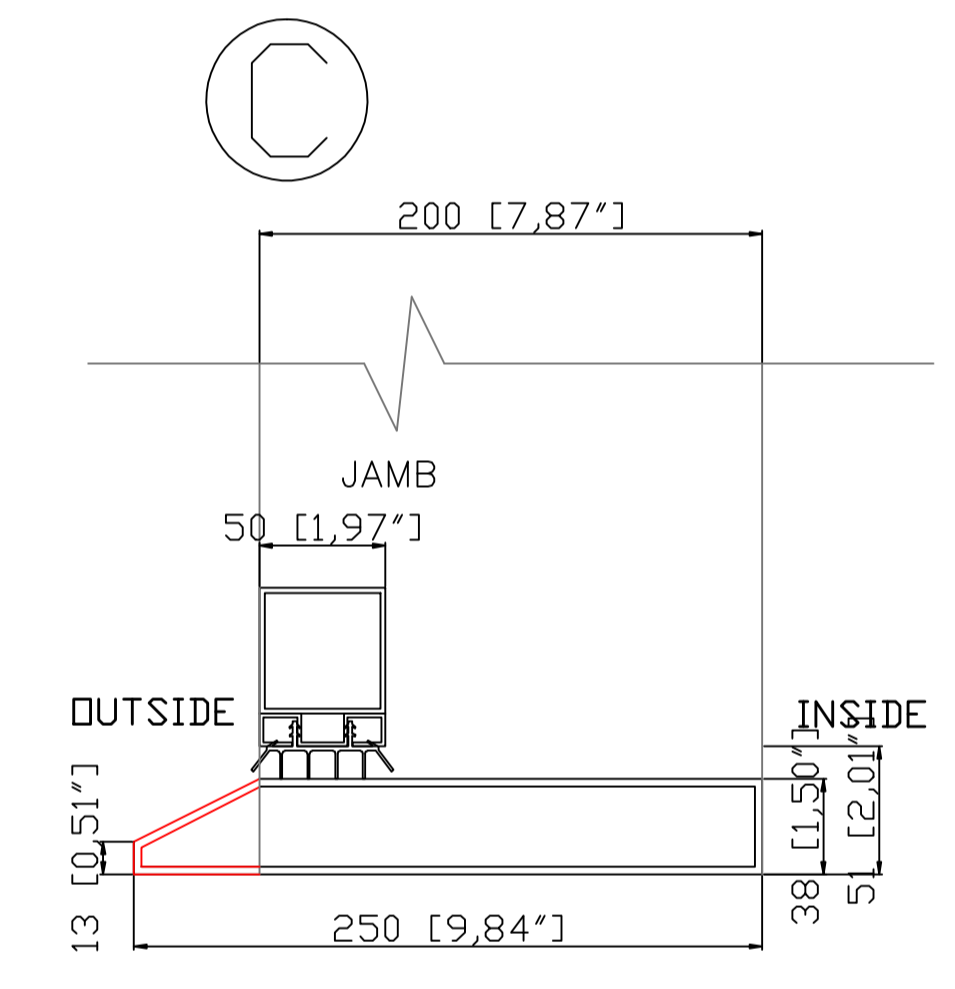
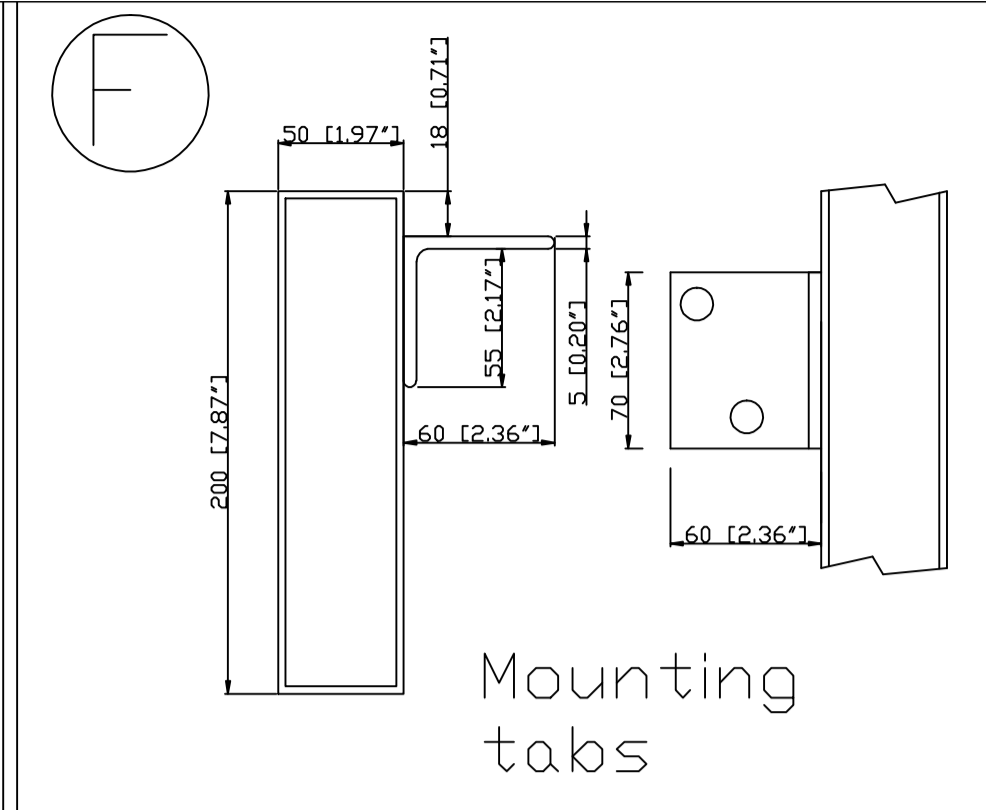
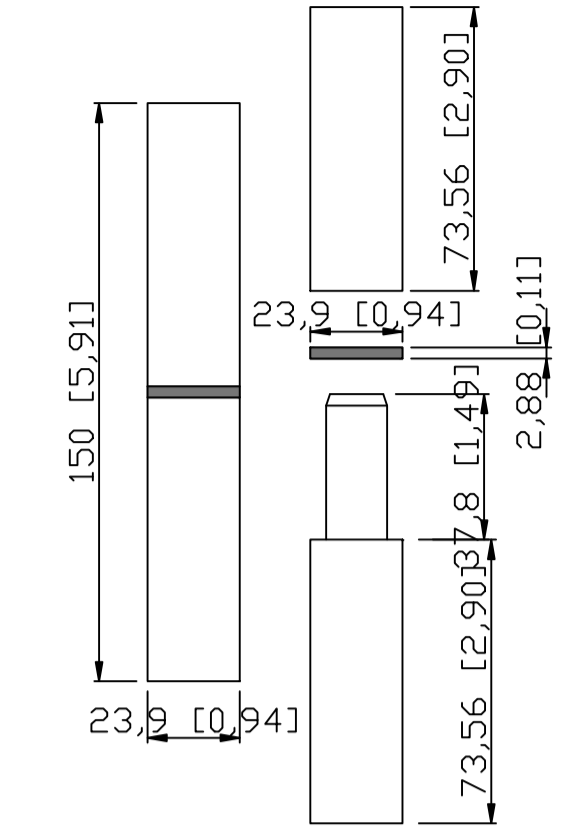
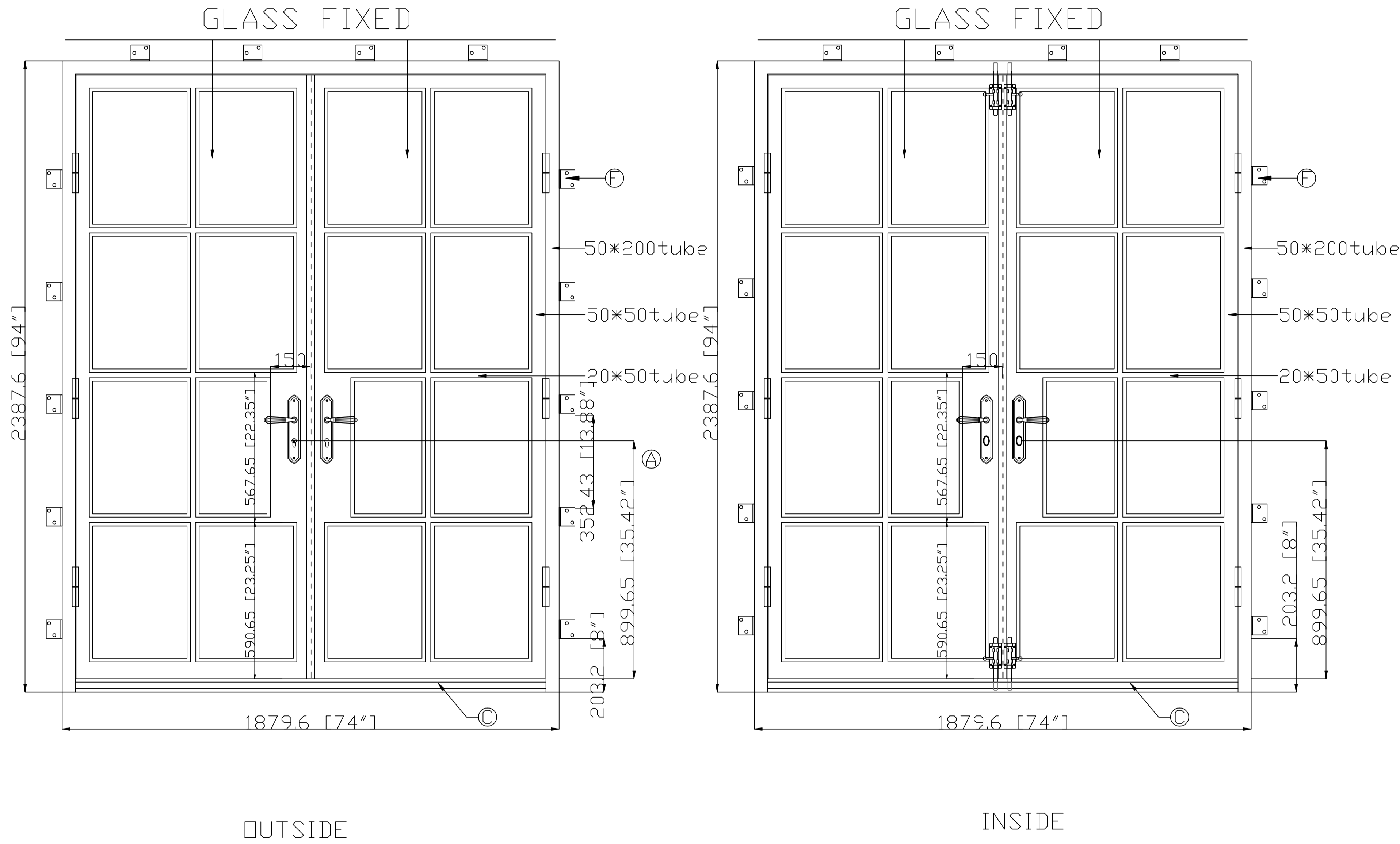


Q'TY:2SETS



<p>TEMPERED</p>	NAME	Ron Berning-1 EL1022	Color	01matte black	Accent color	None	<p>INSIDE</p> <p>LEFT HAND ACTIVE</p>	CAD APPROVED BY CLIENT SIGNED _____
	DATE	Y2020.07.25 REV-D	GLASS	Impact glass: clear+clear 抗台风玻璃	Rustproof type	spray zinc coating		
	Packing	iron cage			Thermal Barrier	<input type="checkbox"/> YES <input checked="" type="checkbox"/> NO		